

CPI Electron Device Business - Switch



With a history of producing high quality products, we can help your with switch.

Contact us at ElectronDevices@cpi-edb.com or at call us at +1 978-922-6000.

FEATURES:

- High power operation
- Integral driver
- Fast switching

BENEFITS:

- World's largest manufacturer of high power receiver protector and switch products
- State of the art facility with high level of vertical integration
- Extensive high power test capability
- In-house environmental test facility
- Computer modeling and automatic test capabilities

APPLICATIONS:

- IFF Systems

CPI EDB L-Band 500 W SPDT Switch: MA8305-2L8SD

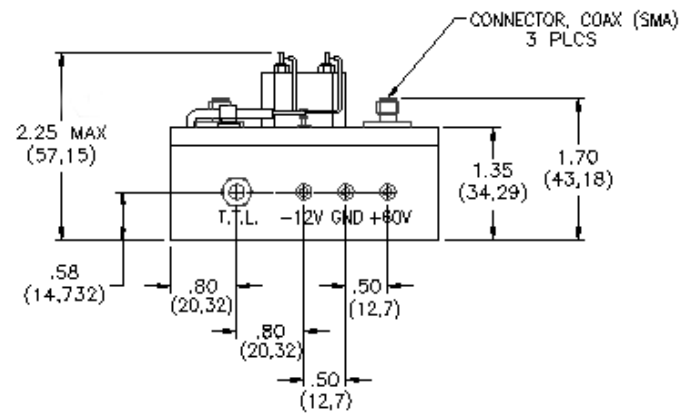
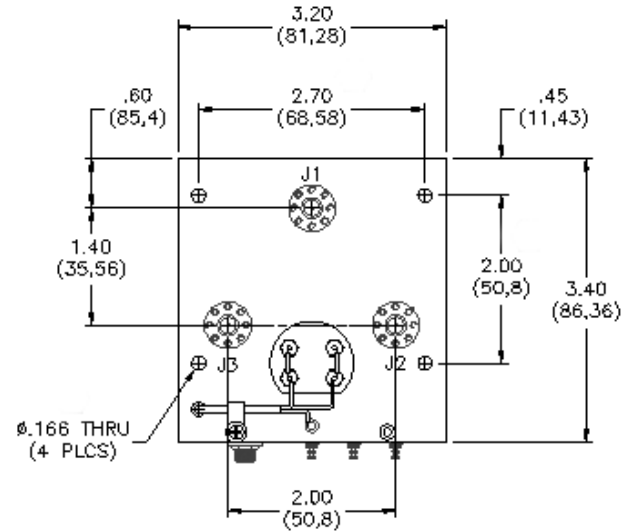
Electrical Specifications

Operating frequency	1.02 – 1.1 GHz
Maximum peak power	500 W
Maximum insertion loss	0.7 dB
Maximum isolation	40 dB
Minimum switching time	120 μ Sec
Maximum VSWR	1.3:1

Mechanical and Environmental Specifications

RF input and output	SMA Female
Bias supplies	+60 VDC @ 40 mA max -12 VDC @ 200 mA max
Control logic	TTL
Power & control connector	Solder terminals
Dimensions	See outline drawing

See product specification for other details



Beverly Microwave Division
150 Sohier Road
Beverly, Massachusetts
USA 01915

tel +1 978-922-6000
email ElectronDevices@cpi-edb.com
fax +1 978-922-8914
web www.cpi-edb.com

For more detailed information, please refer to the corresponding CPI EDB technical description if one has been published, or contact CPI EDB. Specifications may change without notice as a result of additional data or product refinement. Please contact CPI EDB before using this information for system design.

©2025 CPI Electron Device Business. Company proprietary; use and reproduction is strictly prohibited without written authorization from CPI EDB.